

torQtool 2

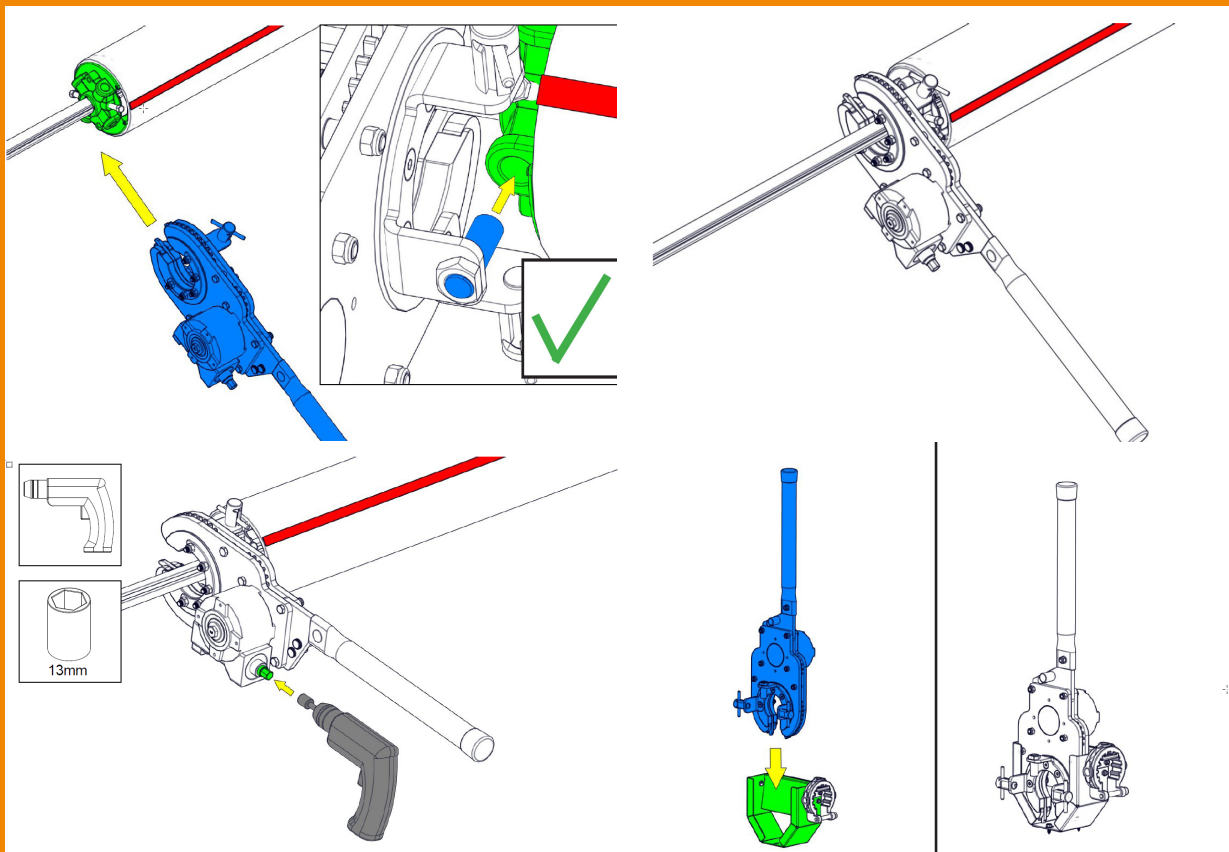
health and safety in torsion spring tensioning



torQtool 2

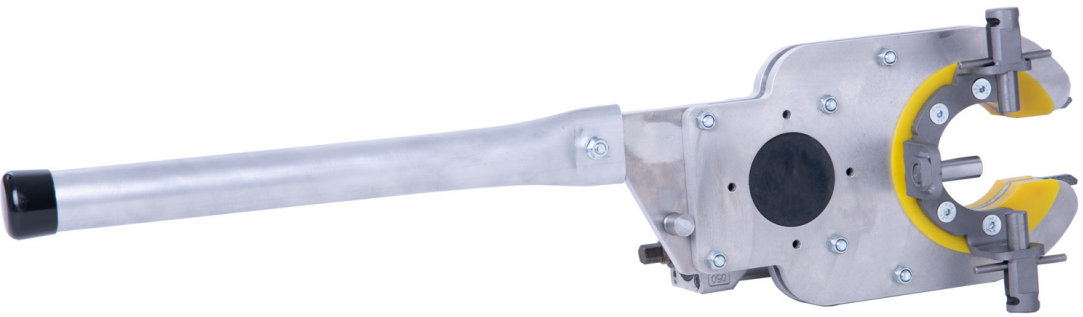
health and safety in torsion spring tensioning

- Industrial spring tensioner
- Safe and healthy way of spring tensioning
- No tension bars necessary anymore
- For torsion springs with diameter 95mm, 142mm and 152mm
- For all types of shafts:
 - 35mm
 - 40mm
 - Hexagon
 - Crawford
 - Hörmann
 - 1"
 - 1 1/4"
- Easy tensioning with your drilling machine
- Minimalizing the physical strain for installers and service engineers of overhead doors!



The torQtool 2 is approved by the Dutch health organization VHP quality mark health, safety and ergonomics.

torQtool 2



torQtool 2
health and safety in torsion spring tensioning

IDD-Parts BV is your supplier for spare parts, panels and automation for service, repair, maintenance, and after sales for all brands of industrial doors and docking systems. Easy ordering with www.iddparts.eu, 24 hours a day, 365 days per year.

iddparts **eu**

for doors and docking

IDD-Parts BV
Hanzeweg 19
3771 NG Barneveld
The Netherlands
T: +31 (0)342 490 990
E: info@iddparts.nl

www.iddparts.eu

